

ChromaSteam®

BOX CONTENTS

The MS CHROMA includes all of the following:

- (1) Installation and Operation Manual
- (1) Light Fixture, Lens & LED Cluster
- (1) Tube of Silicone
- (1) 30 ft. cable for use with eTempoPlus

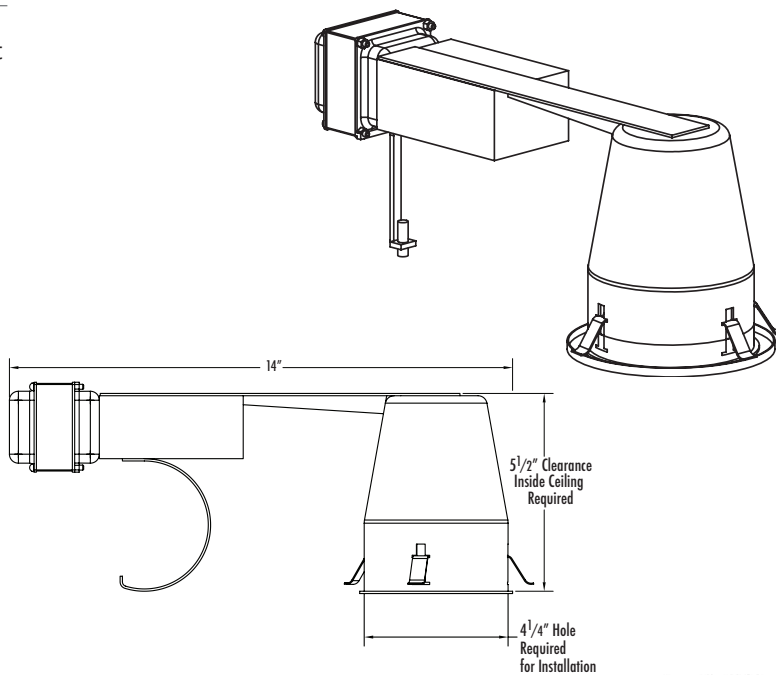
IMPORTANT NOTE: The ChromaSteam® System is for mood lighting only and not a substitute for general illumination.

ChromaSteam® is rated 14.4 watts at 120 VAC



Depending on the installation, the user can select from the following color modes using either a standard wall switch or the CHROMA button on their iSteam® or iTempoPlus® control.

- | | |
|-----------------|---|
| a. Bright White | f. Green |
| b. Blue/Green | g. Red |
| c. Violet | h. Chameleon
(slow automatic cycle) |
| d. Blue | i. Party Mode
(fast automatic cycle) |
| e. Yellow | |



FOR ILLUSTRATIVE PURPOSES ONLY. IMPORTANT NOTE: FOR SAFE AND TROUBLE FREE INSTALLATION visit mrsteam.com or scan the QR code before installation to download the Installation, Operation and Maintenance Manual or refer to the manual provided with the unit.



MODEL	PROJECT INFORMATION	
MS CHROMA-72	Location:	Contractor:
	Architect:	Submitted By:
	Engineer:	Date:
Notes:		